

LAUREL MOUNTAIN WHIRLPOOLS

FARRELL I, II, III, IV, V

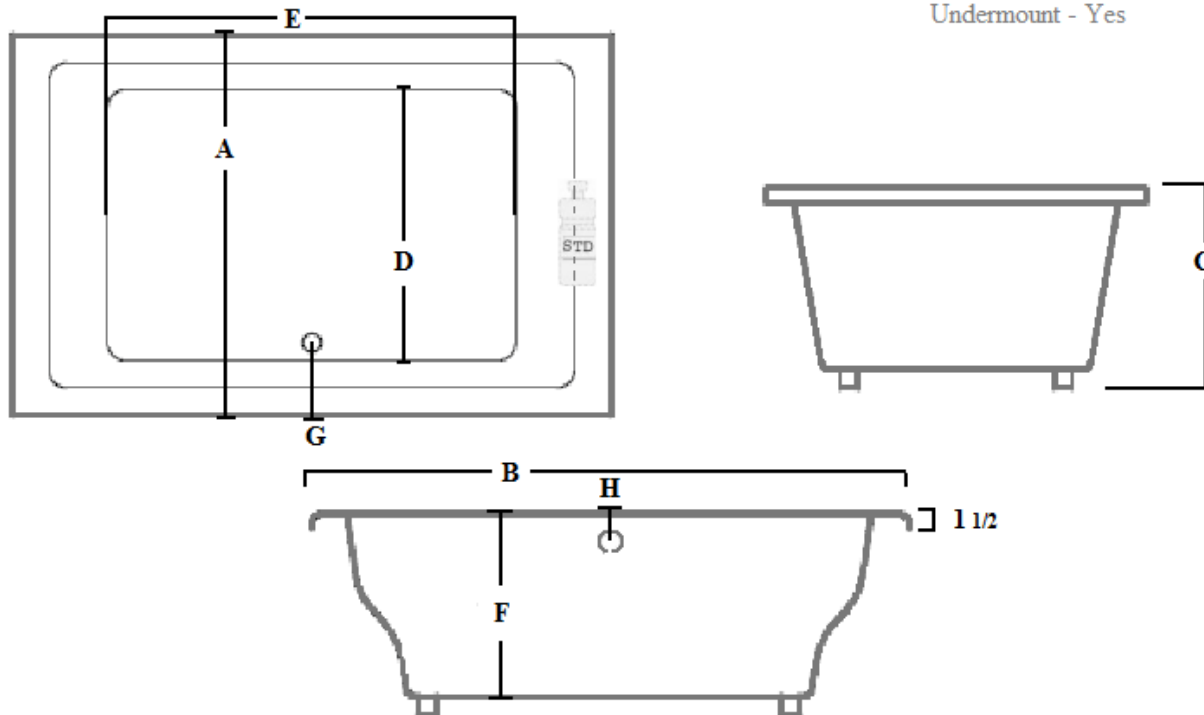
- I** WHIRLPOOL 3666FW
AIR BATH 3666FA
COMBO BATH 3666FWA
TUB ONLY 3666FT
- II** WHIRLPOOL 3672FW
AIR BATH 3672FA
COMBO BATH 3672FWA
TUB ONLY 3672FT
- III** WHIRLPOOL 4266FW
AIR BATH 4266FA
COMBO BATH 4266FWA
TUB ONLY 4266FT

- IV** WHIRLPOOL 3272FW
AIR BATH 3272FA
COMBO BATH 3272FWA
TUB ONLY 3272FT
- V** WHIRLPOOL 4072FW
AIR BATH 4072FA
COMBO BATH 4072FWA
TUB ONLY 4072FT

*All dimensions are +/- 1/2" and subject to change without notice.

ELECTRICAL REQUIREMENTS:
Whirlpool pump/motor:
120V, 20A, 60HZ
Air Blower/Heater:
120V, 20A, 60HZ
Dedicated GFCI required.

INSTALLATION NOTES:
Install these acrylic fixtures according to the installation manual. Confirm specifications before starting installation.
Undermount - Yes



MODEL #	A	B	C	D	E	F	G	H
3666	36	66	22	25	42	20	8 1/2	3
3672	36	72	22	24	49	20	8 1/2	3
4266	42	66	22	30	45	20	8	3
3272	32	72	22	21	49	20	7 1/2	3
4072	40	72	22	29	49	20	8	3

MODEL #	WATER CAPACITY OPERATING LEVEL	WATER CAPACITY TO OVERFLOW	WATER DEPTH TO OVERFLOW	APPROX. UNIT WT.	SOAKER UNIT WT.
3666 WHIRL / AIR / COMBO	60 gal.	90 gal.	15 1/2	140	95
3672 WHIRL / AIR / COMBO	65 gal.	98 gal.	15 1/2	155	110
4266 WHIRL / AIR / COMBO	65 gal.	98 gal.	15 1/2	150	105
3272 WHIRL / AIR / COMBO	65 gal.	95 gal.	15 1/2	155	110
4072 WHIRL / AIR / COMBO	68 gal.	100 gal.	15 1/2	160	115



Website: www.laurelmountainwhirlpools.com
Email: sales@laurelmountainwhirlpools.com
Phone: 800-930-0050

Sales/Customer Service
26 Nesbitt Rd. Suite 257
New Castle, PA 16105